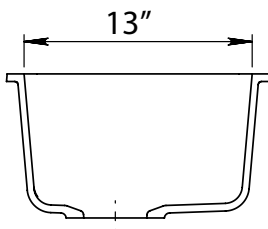
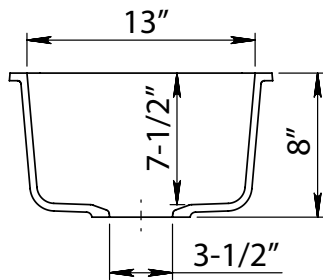
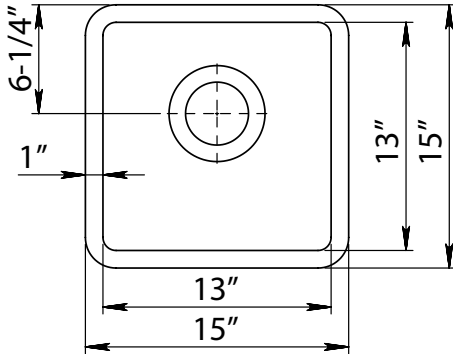




# GSE-QC1515

UPC:



### Style:

- Kitchen Sink
- Single Bowl
- Undermount

### Material:

- Quartz Composite

### Size:

- Overall: 15" x 15"
- Bowl Depth: 8"
- Drain Diameter: 3-1/2"

### Features:

- Made from 80% quartz, only diamond is harder
- Durable; highly resistant to scratches and stains
- Non-porous surface, easy-to-clean
- Extremely hygienic, does not absorb bacteria
- Heat resistant to +500°F
- PerfectFit drains for easy cleaning



### Certifications:

- Complies with ANSI Z124.6-2007
- Complies with EN 13310:2003

### Warranty:

- Lifetime Limited Warranty

### Available Color/Finish



B - Beige

C - Concrete

K - Black

M - Mocha (Shown)

W - White

### Available Accessories (Not Included):

- Bottom Grid(s)
- Color Matched Basket Strainer
- Color Matched Disposal Flange